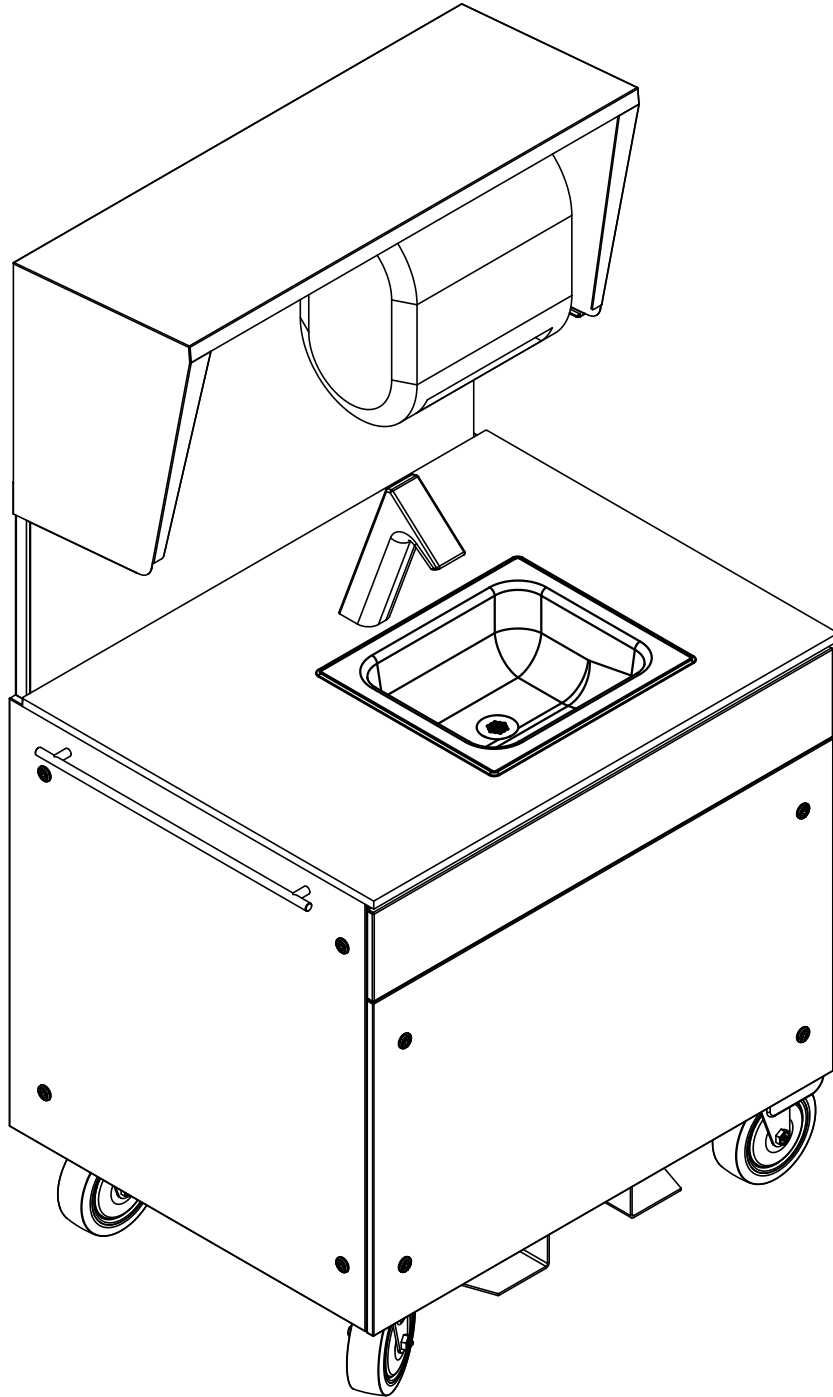


Sloan Mobile Handwashing Station MH-3000 Installation and Operation Instruction

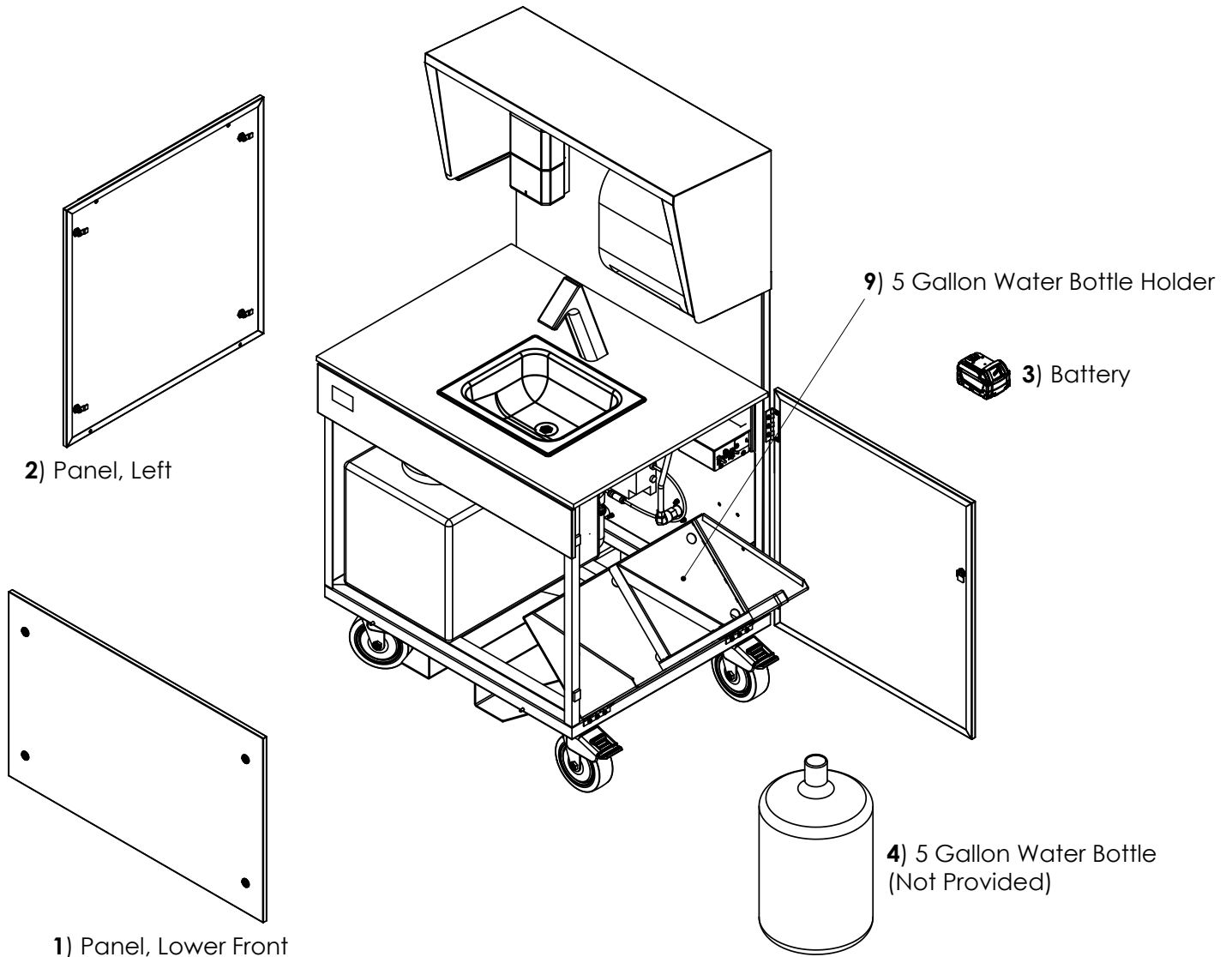


Limited Warranty

Unless otherwise noted, Sloan Valve Company warrants its Mobile Handwashing Sink to be made of first class materials, free from defects of material or workmanship under normal use and to perform the service for which it is intended in a thoroughly reliable and efficient manner when properly installed and serviced, for a period of one year from date of purchase. During this period, Sloan Valve Company will, at its option, repair or replace any part or parts which prove to be thus defective if returned to Sloan Valve Company, at customer's cost, and this shall be the sole remedy available under this warranty. This warranty covers enclosure framing, panels, countertop material and attachments. It does not limit or extend individual product component warranties provided by the component manufacturer. No claims will be allowed for labor, transportation or other incidental costs. This warranty extends only to persons or organizations who purchase Sloan Valve Company's products directly from Sloan Valve Company for purpose of resale. This warranty does not cover the life of the batteries.

THERE ARE NO WARRANTIES WHICH EXTEND BEYOND THE DESCRIPTION ON THE FACE HEREOF. IN NO EVENT IS SLOAN VALVE COMPANY RESPONSIBLE FOR ANY CONSEQUENTIAL DAMAGES OF ANY MEASURE WHATSOEVER.

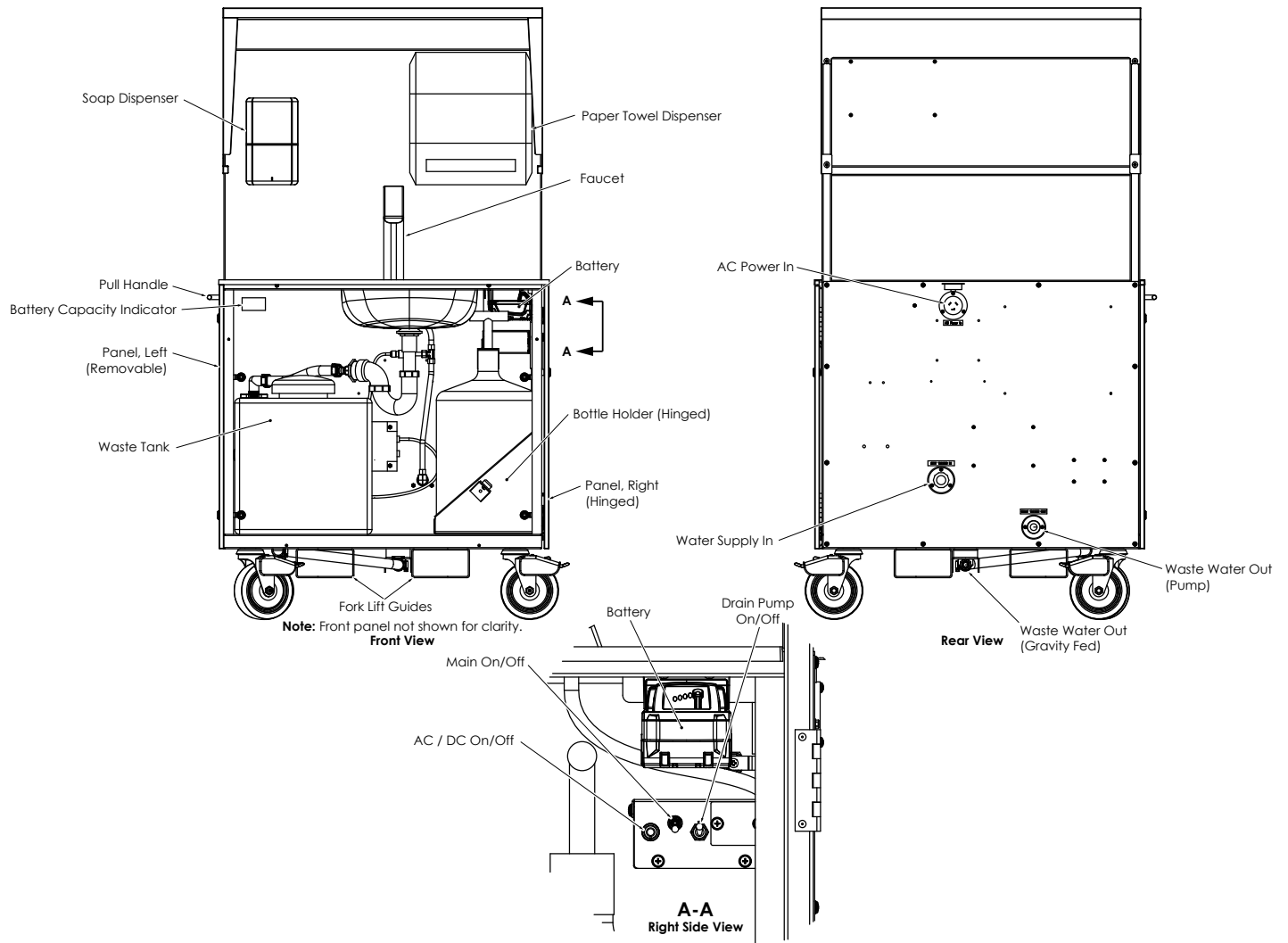
Figure 1



| Parts List | | | |
|---|-------------|----------|--|
| Description | Item Number | Quantity | |
| Panel, Lower Front | 1 | 1 | |
| Panel, Left | 2 | 1 | |
| 5AH Li-Ion Battery | 3 | 1 | |
| 5 Gallon Water Bottle (Not Supplied) | 4 | 2 | |
| Battery Charger (Not Shown) | 5 | 1 | |
| 1/4" Hex Key (Not Shown) | 6 | 1 | |
| Paper Towel Key (Tool) (Not Shown) | 7 | 1 | |
| Trash Bag Holder (Not Shown) For standard 13 gallon draw-string trash bag, see spare parts list for details. | 8 | 1 | |
| 5 Gallon Water Bottle Holder | 9 | 1 | |

MH-3000 Mobile Hand Hyg 1 St SS Tank Component Layout

Figure 2



| Component / Description | |
|----------------------------|---|
| Component | Description |
| Soap Dispenser | GOJO CS-8 |
| Paper Towel Dispenser | EnMotion Impulse Auto Paper Towel Dispenser, White |
| Faucet | Sloan EFX-150 Faucet |
| Battery | Milwaukee 5AH Li-Ion Battery |
| Water Bottle Holder | 5 Gallon Water Bottle Holder (Holds two 5 gallon water bottles, not included) |
| Access Panel - Right | Hinged |
| Access Panel - Front | Removable |
| Access Panel - Left | Removable |
| Waste Tank | 16 Gallon Waste Tank |
| Pull Handle | Handle for moving unit around facility |
| Battery Capacity Indicator | Displays battery level of unit |
| AC Power In | 3 Prong Twist Lock |
| Water Supply In | 3/4" garden hose connection |
| Waste Water Out | 3/4" garden hose connection |
| AC / DC On/Off | 3 way toggle switch, center off |
| Main Power Switch On/Off | Main power switch to the Mobile Handwashing Sink |
| Drain Pump Switch On/Off | Supplies power to the drain pump |

Initial Setup Prior to First Use

IMPORTANT

(Must be completed before initial power up and water connection)

- Use holding tank cleaner/treatment for 16 gallon waste tank.
- Sanitation of the fresh water pump (if applicable) must be completed prior to initial use.
- Batteries for the paper towel dispenser are shipped loose and must be installed prior to initial use.
- Soap bottle is shipped loose and must be installed prior to initial use.

This mobile handwashing sink has multiple options for power, water supply, and drainage. See below.

Power

- AC Power
 - Select this option when power can be supplied by an external source.
- DC Power (If applicable)
 - Select this option when external power is not available, and battery power is required.

Water Supply

- External Water Supply
 - Select this option when external water connection is available, this option can be connected via a 3/4" garden hose.
- 5 Gallon Water Supply (If applicable)
 - Select this option when external water connection is not available, two 5 gallon water bottles (not supplied) are required.

Drainage

- Manual (Gravity fed)
 - Select this option if no power is available to the unit. This option is controlled by a ball valve.
- Electric Pump
 - Select this option select this option if AC or DC power has been select, this option is controlled by a switch.
 - Select this option if waste needs to be pumped up hill or over a long distance.

Faucet:

- Refer to detailed EFX-150 instructions available via Sloan.com for the following:
 - Sensor calibration (If required)
 - Note:** Failure to properly calibrate the faucet sensor may lead to unexpected activation and increase maintenance intervals.
 - Priming
 - Battery battery replacement
 - Care and cleaning

Soap Dispenser:

- Refer to detailed CS-8 instructions available via GOJO.com for the following:
 - Installation of replacement soap bottle and battery (Shipped together)
 - Care and cleaning

Paper Towel Dispenser:

- Refer to EnMotion manufacturer instructions for the following:
 - Installation of batteries (Included, shipped loose)
 - Paper towel installation
 - Paper length setting
 - Care and cleaning

Fresh Water Pump:

- Refer to detailed instructions available via Xylem.com for the following:
 - Sanitize unit prior to first use.
 - Routine sanitation must occur as required, minimum 6 times per year.

16 Gallon Waste Tank

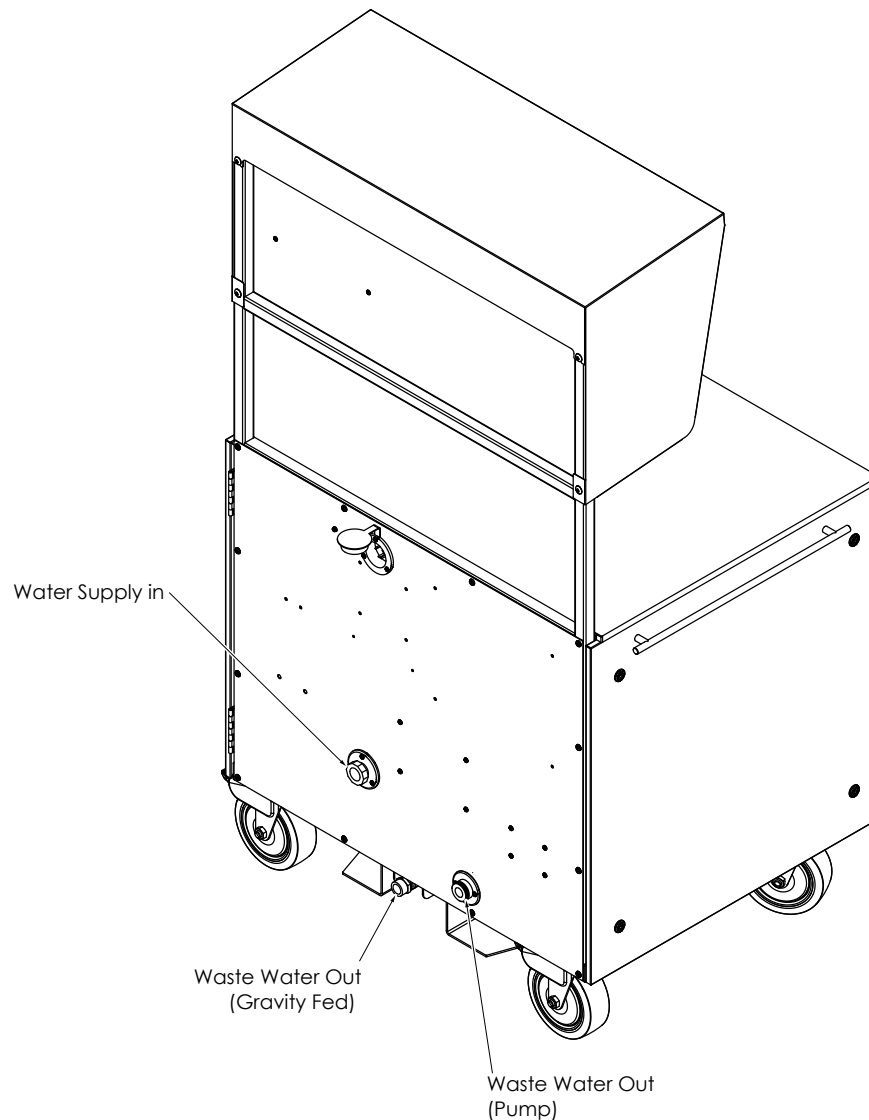
- Sanitation of Grey Water Tank
 - The 16 Gallon grey water tank must be treated to break down waste and eliminate odors. Using a liquid holding tank cleaner/treatment, follow the holding tank cleaner instructions for cleaning or treatment of grey water holding tank. For best results, clean and flush the tank weekly regardless of the water level or usage. Recommend using a formaldehyde-free formulation that is safe for all pipes including PVC. Routine treatment is an important step to ensure reliable service.

5 Gallon Water Bottles

- Potable (Drinking) water should be provided by local water supplier and should be exchanged when empty, NOT refilled.

Setting Up for External Water Supply In and Waste Water Out

Figure 3



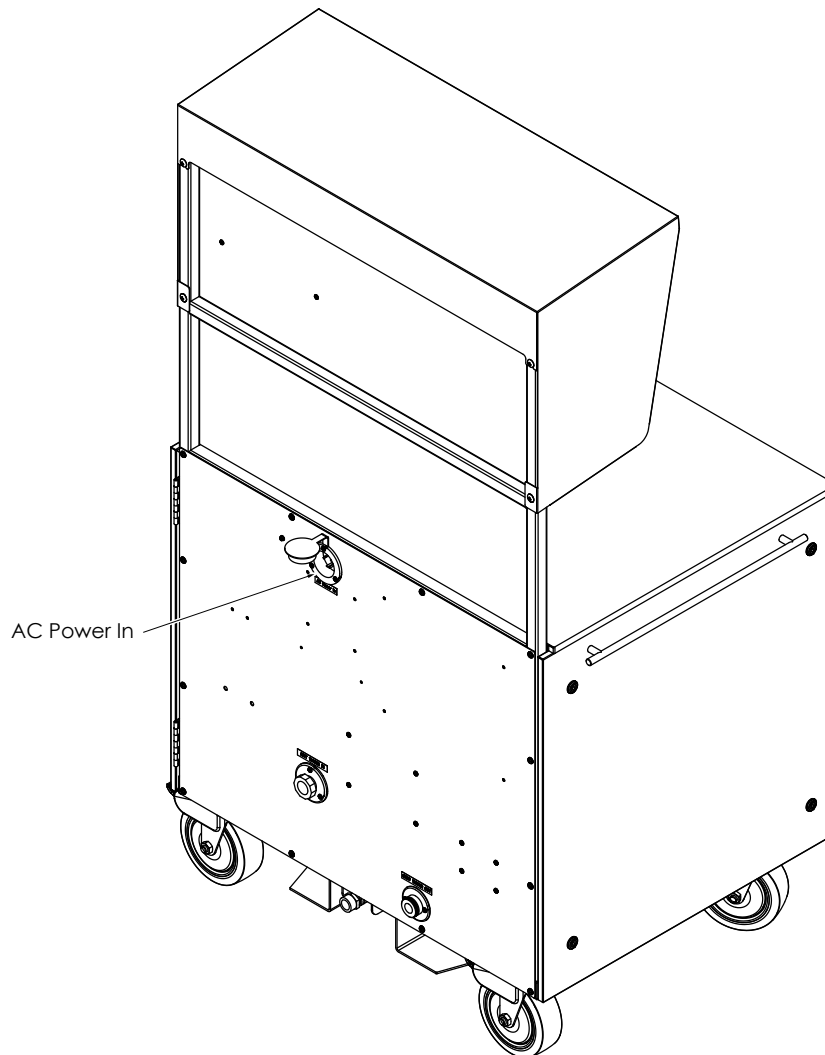
1. Connect to water supply in.
 - a. Make sure that the external water is OFF
 - b. Using a standard 3/4" garden hose or equivalent, connect to an external water supply.
 - c. Connect the opposite end of the hose to the Water Supply In on the middle, rear panel of the Mobile Handwashing Sink.
 - d. Make sure that connection is tight and does not leak.

2. Connect to waste line out (Gravity Fed).
 - a. Using a standard 3/4" garden hose or equivalent, connect to the Waste Line Out on the bottom, rear panel of the Mobile Handwashing Sink.
 - b. Make sure that connection is tight and does not leak.
 - c. Place the opposite end of the hose in an appropriate area for draining waste water tank.

3. Connect to waste line out (Pump).
 - a. Make sure that the gravity fed ball valve is in the closed position.
 - b. Using a standard 3/4" garden hose or equivalent, connect to the Waste Line Out on the bottom, rear panel of the Mobile Handwashing Sink.
 - c. Make sure that connection is tight and does not leak.
 - d. Place the opposite end of the hose in an appropriate area for draining waste water tank.

Connect the AC Power In

Figure 4



WARNING - Risk of Electric Shock. Connect Only to a Supply Protected by a Ground-Fault Circuit-Interrupter (GFCI).

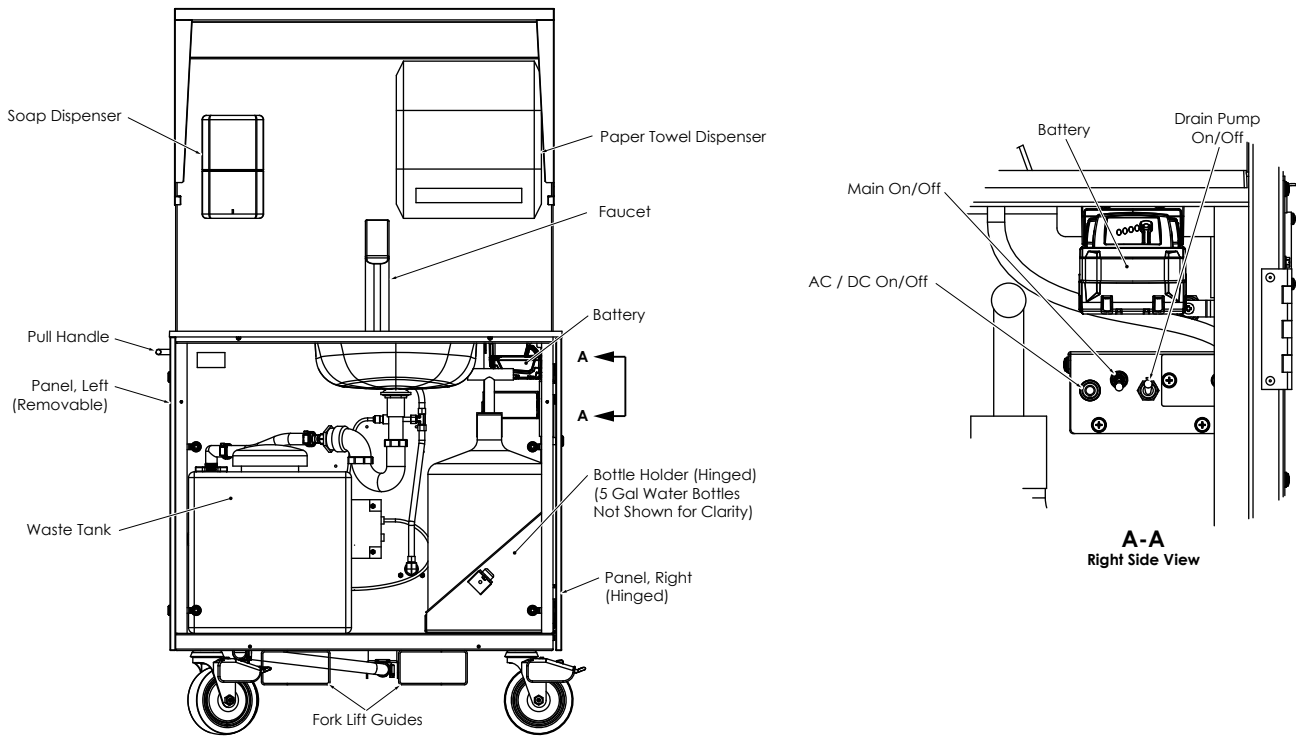
1. Plug a 12/3-Prong NEMA L5-20 AMP 125V Power cord (Not supplied) into twist lock AC Power In receptacle on the rear panel of the Mobile Handwashing Sink, and connect the opposite end to a matching NEMA L5-20R twist-lock receptacle (120V/20A).

Note:

Strain Relief - UL 1951, Clause 10.4 and C22.2 No. 68, Clause 5.6 - A flexible cord shall be provided with a means to reduce the transmittal of tensional or rotational force from the cord to the wiring connections. A detachable flexible power supply cord will be permitted for the 120 VAC powered Hand Washing Stations if the appliance inlet is a twist-lock design.

Operation Instructions AC Power

Figure 5



Note: Front panel not shown for clarity.
Front View

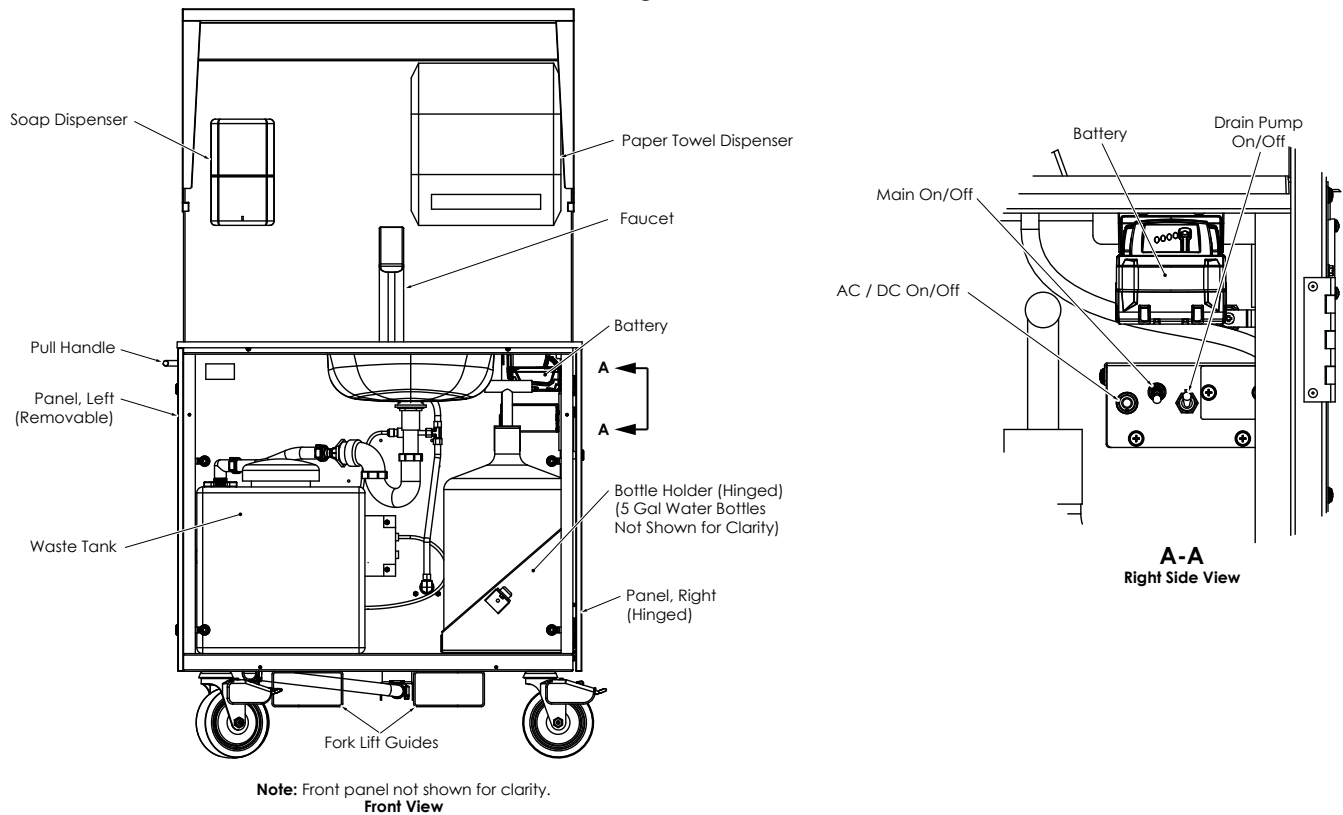
1. Position the Mobile Handwashing Sink where needed.
2. Lock each caster in place to secure the Mobile Handwashing Sink in place.
 - a. Press down on the lock lever for each caster until the lever locks into place and the caster no longer rotates freely.
 - b. To release the lock lever, press up on each lock lever until the lever locks in the open position and the caster rotates freely.
3. Connect external water supply in and the waste line out.
4. Plug a 12/3-Prong NEMA L5-20 AMP 125V Power cord (Not supplied) into twist lock AC Power In receptacle on the rear panel of the Mobile Handwashing Sink, and connect the opposite end to an 110 VAC power source.
5. Using AC Power.
 - a. Position the AC / DC Switch to the AC position.
 - b. Position the Main On/Off Switch in the on position.
 - c. If using the electric drain pump option, position the drain pump switch in the On position.
6. When using the Mobile Handwashing Sink for the first time, prime the sensor faucet by moving your hand in front of the faucet sensor to prime the water lines.

The Mobile Handwashing Sink is ready for use.

7. Drain Waste Tank when above half full.
 - a. Periodically remove or open an access panel to check the waste tank water level. If the waste tank water level is more than half full, drain the waste tank.
8. Set all switches to the off position when not in use

Operation Instructions DC (Battery) Power

Figure 6



1. Position the Mobile Handwashing Sink where needed.
2. Lock each caster in place to secure the Mobile Handwashing Sink in place.
 - a. Press down on the lock lever for each caster until the lever locks into place and the caster no longer rotates freely.
 - b. To release the lock lever, press up on each lock lever until the lever locks in the open position and the caster rotates freely.
3. Connect external water supply in and the waste line out.
4. Using DC (Battery) Power.
 - a. Position the AC / DC Switch to the DC position.
 - b. Position the Main On/Off Switch in the on position.
 - c. If using the electric drain pump option, position the drain pump switch in the On position.

Note: Make sure battery is fully charged prior to use. Recharge battery as needed, minimum once daily.

5. When using the Mobile Handwashing Sink for the first time, prime the sensor faucet by moving your hand in front of the faucet sensor to prime the water lines.

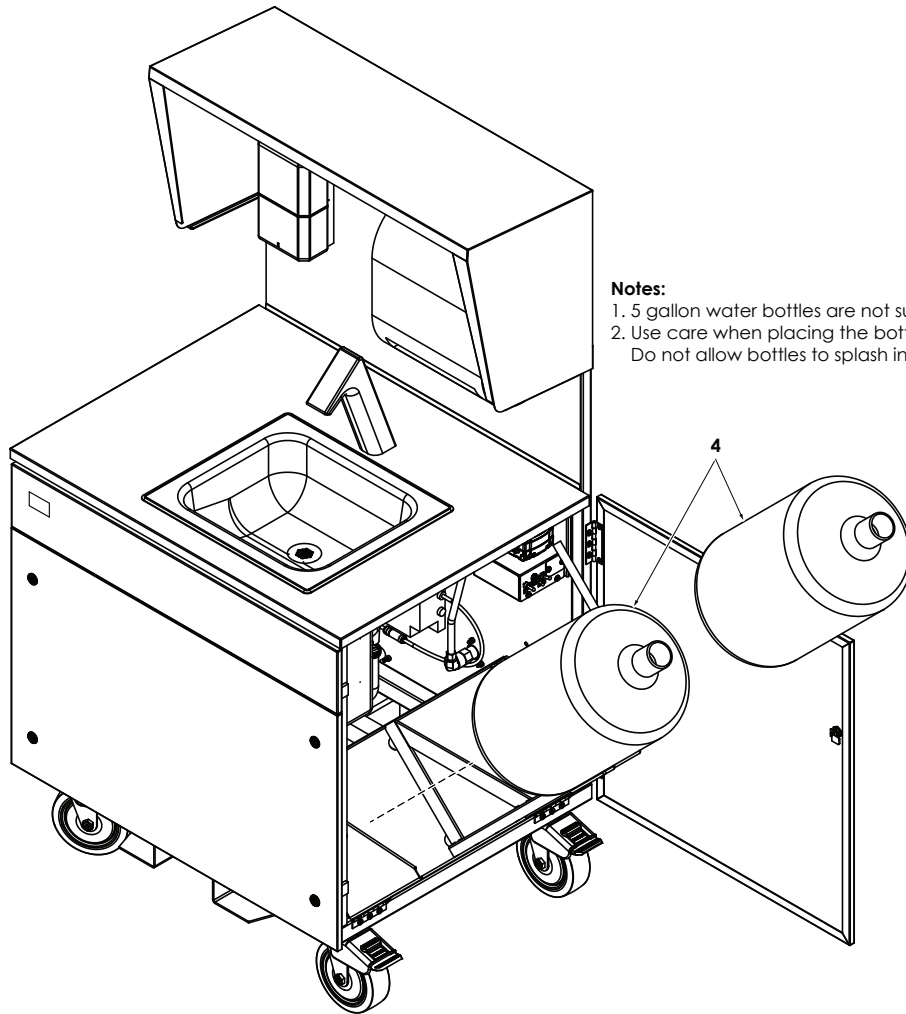
The Mobile Handwashing Sink is ready for use.

6. Drain Waste Tank when above half full.
 - a. Periodically remove or open an access panel to check the waste tank water level. If the waste tank water level is more than half full, drain the waste tank.
7. Set all switches to the off position when not in use.

Note: AC/DC Switch, select the center position.

Install 5 Gallon Water Bottles

Figure 7



Notes:

1. 5 gallon water bottles are not supplied.
2. Use care when placing the bottles in to the bottle holder. Do not allow bottles to splash inside the unit.

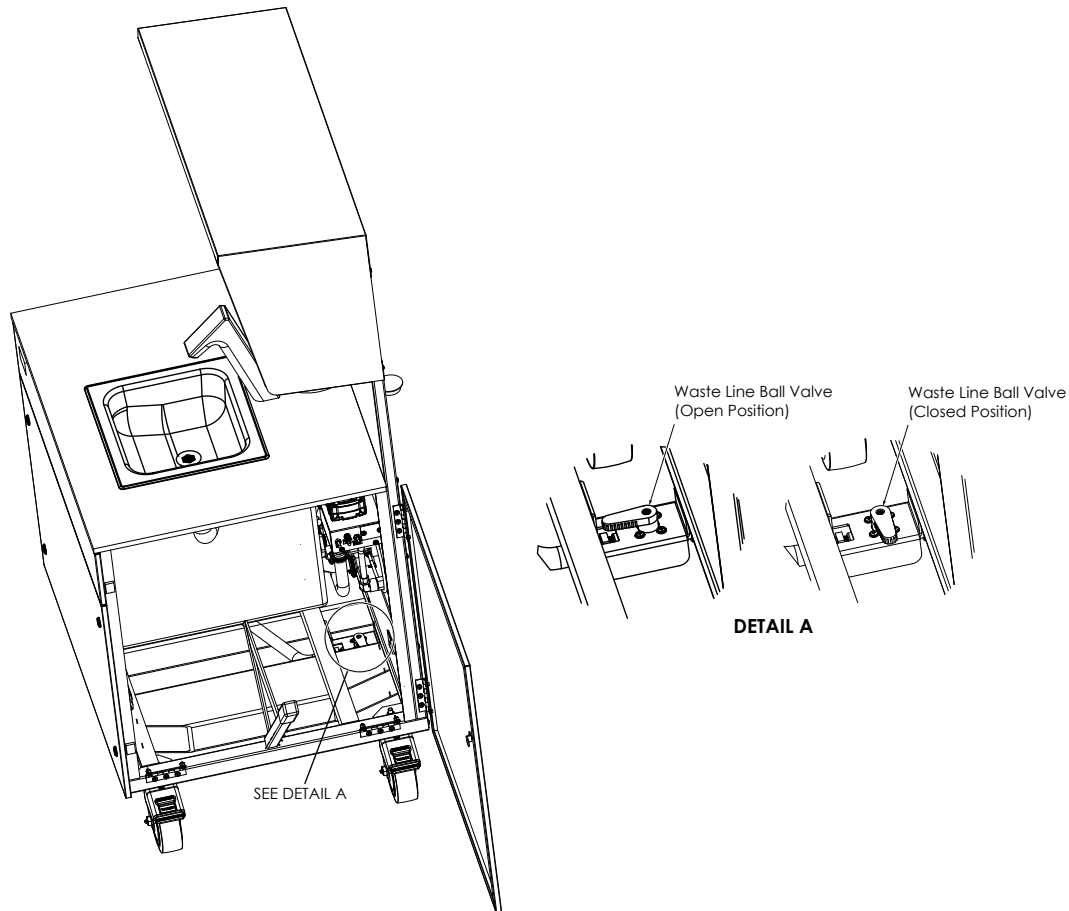
1. If not using an external water source, install two, 5 Gallon Water Bottles (4) (not supplied) into the water bottle platform.
 - a. Tilt the 5 gallon water bottle holder as shown.
 - b. Insert two, unopened, 5 Gallon Water Bottles (4) (not supplied) onto the water bottle platform.
 - c. Tilt water bottle platform back to the original position.
2. Insert water line into 5 gallon water bottle
 - a. Remove cap from 5 gallon water bottle.
 - b. Insert suction wand that is attached to the supply water pump.
 - c. Make sure the power switch on the water supply pump is in the ON position.
3. Remove water line from the empty 5 gallon water bottle and repeat step 2 with new/full 5 gallon water bottle. DO NOT let the water line come into contact with any object during transfer.

Note: If bottle runs empty, float switch will shut off the unit.
4. Replace empty 5 gallon water bottle with new, unopened fresh water bottle, repeat step 1.

DO NOT refill/reuse empty water bottles.

Draining the Waste Water Tank (Gravity Fed)

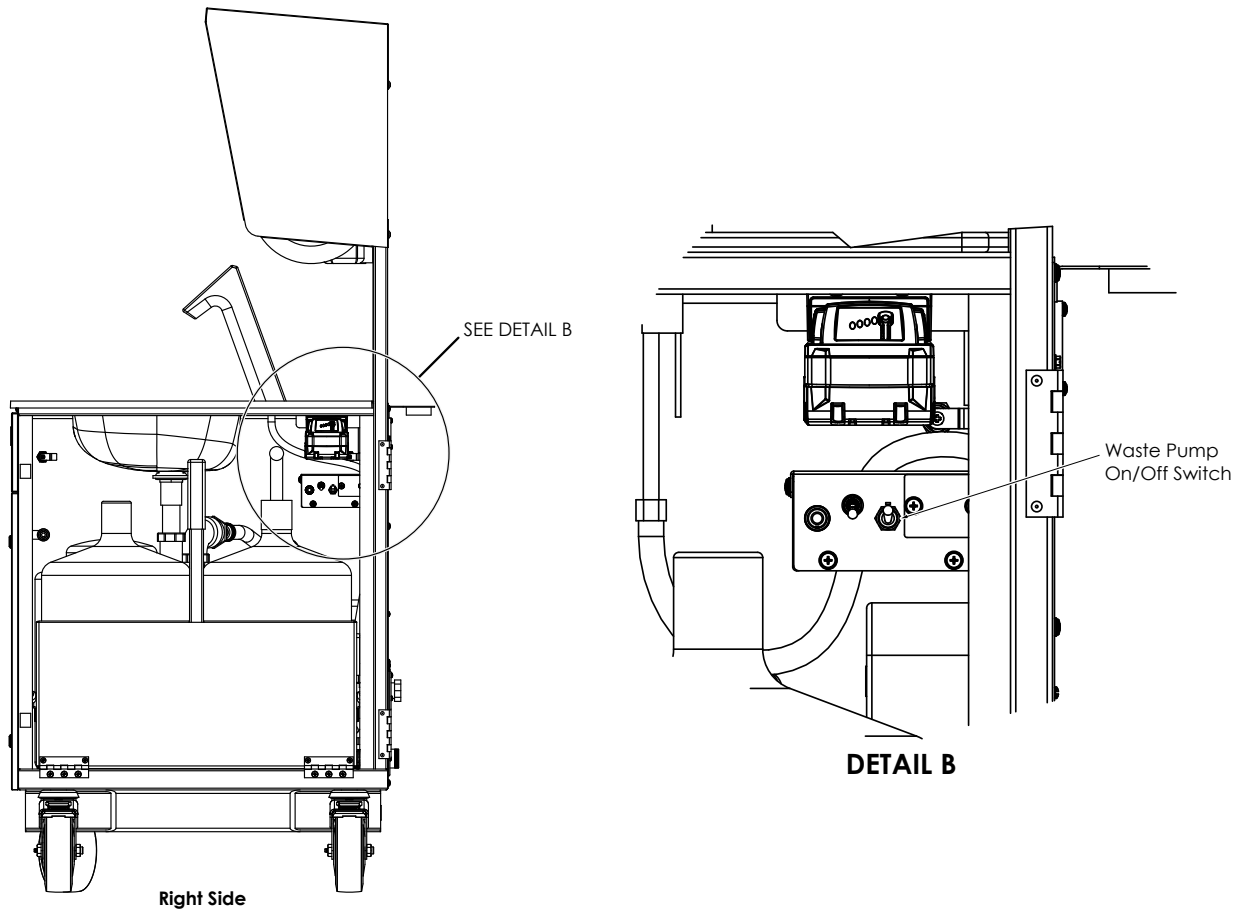
Figure 8



1. Drain the waste tank (Gravity Fed).
 - a. Make sure that waste line hose is connected to waste line out (Gravity Fed Location, Figure 3, page 5) at the bottom rear panel of the Rapid Response Wash Station.
 - b. Make sure that the opposite end of the waste line hose is in an appropriate location to drain the waste water tank. 16 gallons minimum drainage.
 - c. Open the right side access panel.
 - d. Locate the waste line ball valve and turn a 1/4 turn to open the valve.
 - e. Close the waste line ball valve when waste water tank is empty.
 - f. Close and latch the right access panel.

Draining the Waste Water Tank (Electric Pump)

Figure 9



1. Drain the waste tank (Electric Pump).
 - a. Make sure that waste line hose is connected to waste line out (Pump Location, Figure 3, page 5) at the bottom rear panel of the Mobile Handwashing Sink.
 - b. Make sure that the opposite end of the waste line hose is in an appropriate location to drain the waste water tank. 16 gallons minimum drainage.
 - c. Use the 1/4" Hex Key (Included), unlock the cam latch on the right access panel. Open the right side access panel.
 - d. Locate the Main On / Off Switch and toggle to the On position.
 - e. Locate the Waste Pump On Off Switch and toggle to the On position.
 - f. Toggle Waste Pump Switch to the Off position when the waste tank is empty.

Note: Failure to turn the waste water pump off when the tank is empty can damage the pump or cause premature pump failure.
 - g. Close and latch the right access panel.

| Suggested Usage Schedule | | |
|---------------------------------|------------------------|------------------|
| Description | Unit of Measure | Frequency |
| Fresh Water | 5gal Bottle | 3 per Day |
| Waste Water | 16 gal Tank | Drain Daily |
| Battery Charge | Full Charge | Weekly |
| Soap Refill | Refill | 2 per Day |
| Paper Towel Refill | Roll | Daily |

Notes:

1. Frequency may vary per actual daily use.
2. Recharge battery daily, regardless of use. Make sure that battery is fully charged prior to each use.
3. Empty and treat waste water tank weekly, regardless of use.

WARNING

DO NOT operate or store Mobile Hand Washing Station below freezing temperatures. Damage to internal components may occur.

Care and Maintenance

Stainless Steel Care

Stainless steel has a bright surface that is easy to clean and is free from oxides. Therefore, cleaning of stainless steel is relatively simple and easy if done on a regular basis.

Frequency of cleaning should depend on the rate at which the fixture becomes dirty. Remember that fresh (soft) deposits of all kinds are relatively easy to remove, while removing older are much more difficult. Establish a cleaning SCHEDULE. Routine cleaning should involve ordinary soap or detergent and water, applied with a sponge, brush or cloth. Rinse THOROUGHLY and wipe dry.

DO NOT use common steel wool, scouring pads, scrapers, wire brushes, files or other steel tools to clean stainless steel. Certain chemical compounds, if used on stainless steel can give the appearance of rust and if allowed to stand for long periods of time can pit the surface of stainless steel. Products containing hydrochloric acid, muriatic acid or potassium hydrochloride should never be used.

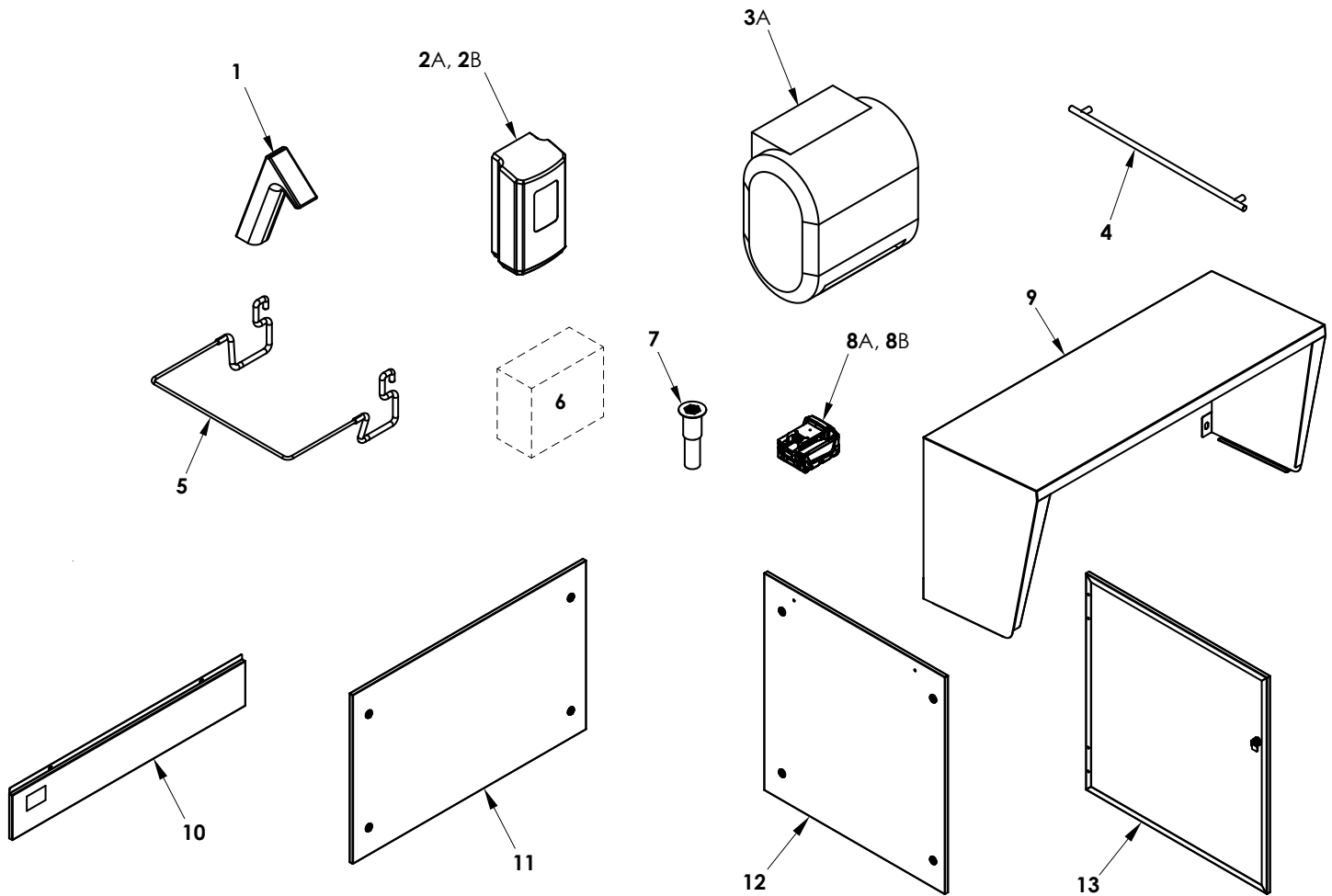
Tips to Keep Stainless Steel Clean and Corrosion Free

1. Utilize the proper tools.
2. Wipe with the grain of the stainless steel.
3. Utilize alkaline, alkaline chlorinated, or non-chloride containing cleansers.
4. Soften hard water with filters to reduce mineral deposits.
5. Clean your equipment frequently to prevent food particles from causing pits and cracks.
6. If a chlorinated cleanser is used, rinse and dry immediately.
7. Absolutely, never under any circumstances use hydrochloric acid (muriatic acid) on stainless steel.
8. Periodically restore or passivate your stainless steel.

Lubrication

Periodically apply silicone or oil lubricant to moving parts such as casters and hinges for smooth operation and protection.

Illustrated Parts List



Spare Parts List

| Item No. | Code No. | Description |
|----------|----------|---|
| 1A | 3324025 | Sloan® BASYS® EXF-150 Sensor Faucet |
| 2A | 0383300 | PURELL® CS8 Soap Dispenser |
| 2B | 0383301 | PURELL® CS8 1200 mL HEALTHY SOAP® refill, 2pk. |
| 3 | 0383332 | Georgia Pacific® enMotion® Impulse® Automatic Paper Towel Dispenser, White |
| 4 | 0383505 | Pull Handle |
| 5 | 0383390 | Trash bag Holder |
| 6 | 0383518 | Graphic Label Kit |
| 7 | 0386057 | McGuire® ProDrain® with 1 1/4" Tailpiece |
| 8A | 0108620 | Milwaukee® M18™ REDLITHIUM™ XC5.0 Extended Capacity Battery Pack, Cat. No. 48-11-1850 |
| 8B | 0383352 | Milwaukee® M18™ & M12™ Rapid Charger, Cat. No. 48-59-1808 |
| 9 | 0383323 | Rain Hood |
| 10 | 3830010 | MH PANEL ASM-UPPER FRONT W/ DISPLAY |
| 11 | 3830009 | MH PANEL ASM-LOWER FRONT |
| 12 | 3830006 | MH PANEL ASM-LEFT |
| 13 | 3830007 | MH PANEL ASM-RIGHT |